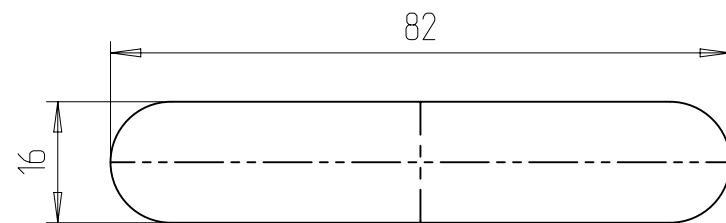
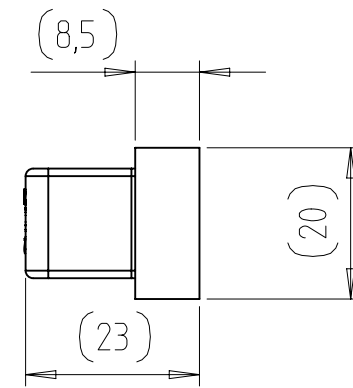
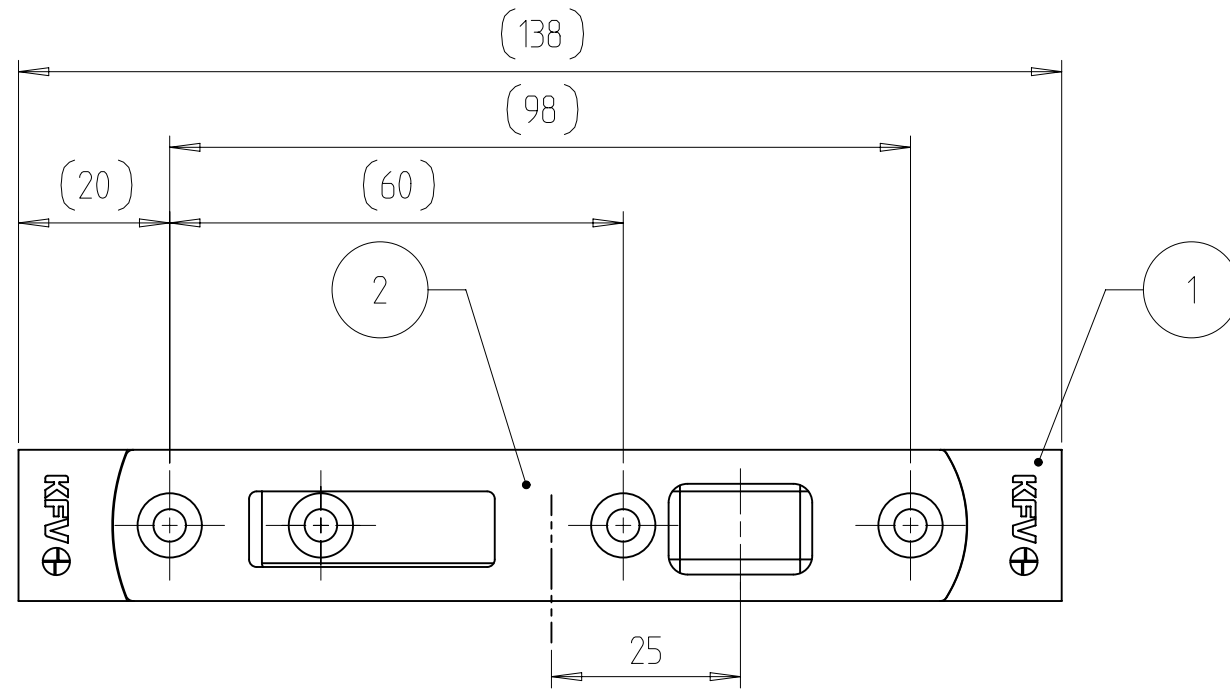
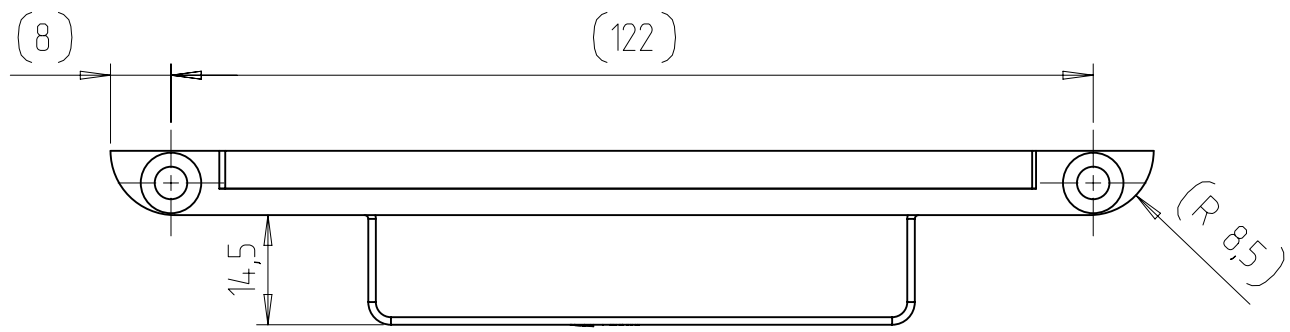


The Drawing and its contents are to be kept secret from third parties, particularly competitors. The drawing and documents which go with it are not to be duplicated either in local or extract, or used in other documentation without express approval (§15 and §18 UrHG - §1 and §18 UWG). A reservation of rights in accordance with §12 PatG is declared for the event that a patent is granted.



2	Platte	1	9.402.00072	000		
1	Schliesskasten Teil	1	9.881.00012	000		
Pos	Benennung	Stck	PDM-Nr.	Teil	Bemerk	
Qty.	Type of Modification	Schmalerer Hakendurchbruch auf 10 mm	ANT Y7053C	Drawn M. M-Bachem	Approved P. Thode	
1					Date 14.02.2018	
Volume /mm³	Weight/g	Material-No.	Item-No.	Tool-No.		
21466	168,241		B3692-01-20			
		Tolerance	Part-Description			
		ISO 2768 mK	Schliesskasten			
Scale		Additional Notice				
1 : 1						
Drawn	Axmann	<b>KFV</b>	Document No.	Doc. Part No.	Revision	
Date	02.12.1993		7.880.00004	000	26	20
Appr.	Bauer		Replaced for :	Test procedure		Size
Date	17.01.1994		Replaced by :			A3