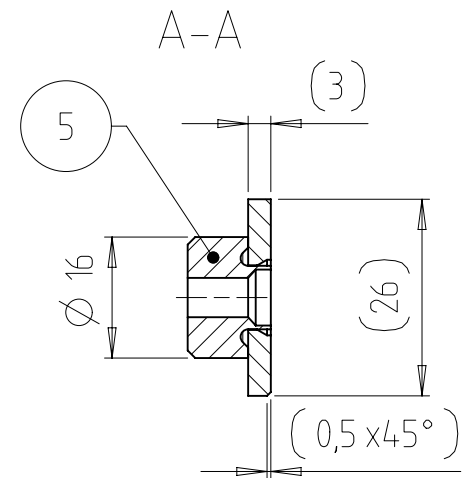
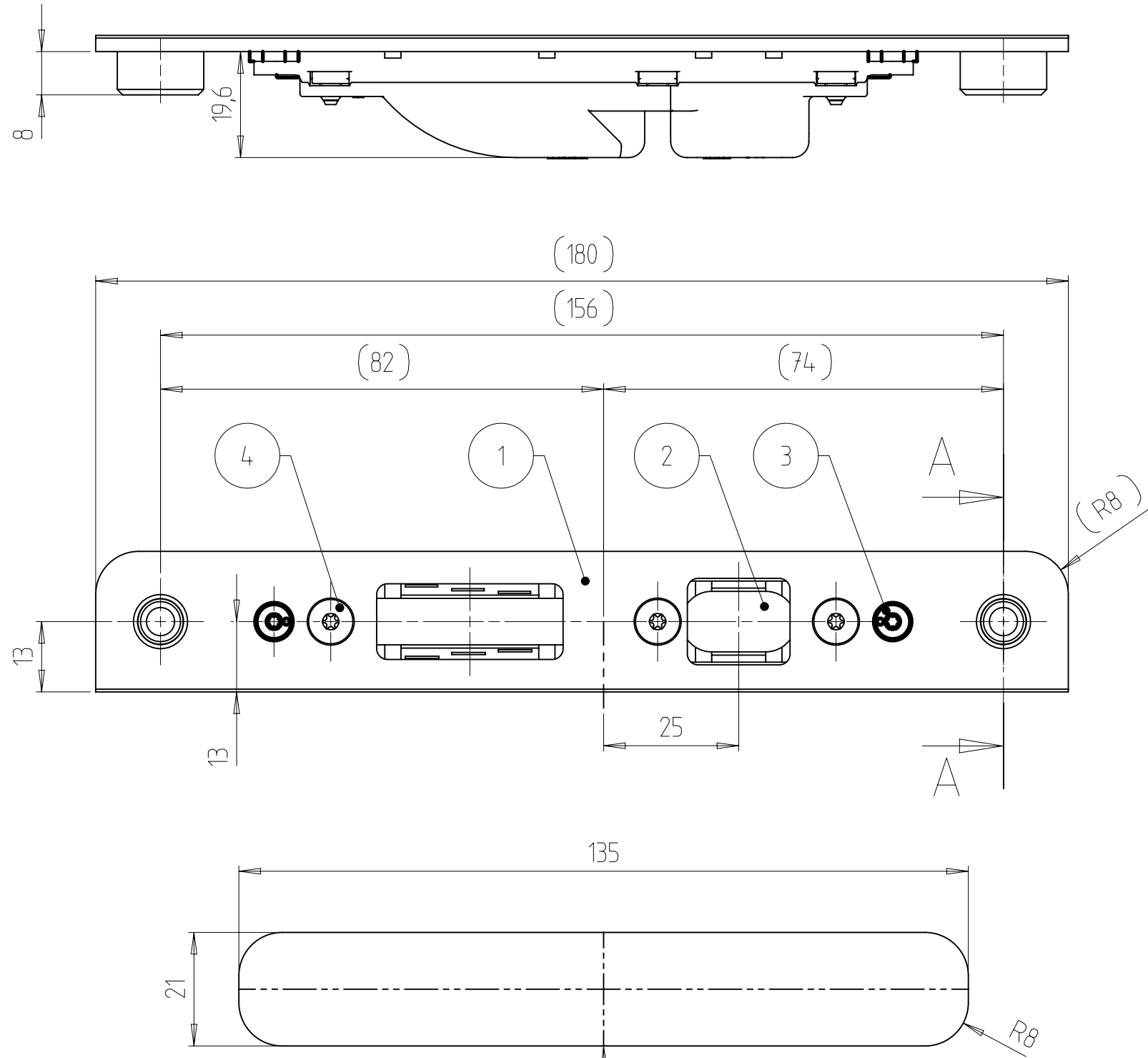


The Drawing and its contents are to be kept secret from third parties, particularly competitors. The drawing and documents which go with it are not to be duplicated either in local or extract, or used in other documentation without express approval (§15 and §18 UrHG - §1 and §18 UWG). A reservation of rights in accordance with §12 PatG is declared for the event that a patent is granted.



wie gezeichnet DIN links
spiegelbildlich DIN rechts

Tolerierung nach ISO 8015

Pos. 3 in Pos. 2 eingelegt
Pos. 1 und 2 mit Pos. 4 verschraubt
Pos. 5 mit Pos. 1 schlagvernietet

01

Anzugsdrehmoment bei allen Schraubverbindungen
1,6 ± 0,2Nm

Frästiefe = angegebene Tiefe + min. 1mm

Fräser Ø 16mm
Anlaufring Ø 27mm

Pos	Benennung	Stck	PDM-Nr.	Teil	Bemerk
5	Distanzstueck	2	9.745.00039	000	
4	Senkschr T10 M4x12	3	9.999.03359	000	
3	Rd...Excenter	2	9.714.00090	000	
2	Schliesskasten komplett	1	7.880.00052	000	
1	Flach- Schliessblech	1	9.848.22782	000	

Mite
Zusatzschloss

Qty. 1	Type of Modification	Änderung auf Torx		ANT EK1-2126201	Drawn Vasilescu	Approved Frerichs	Date 24.07.2023
Volume /mm³ 25660	Weight/g 128,404	Material-No.	Item-No. 3630-4340	Tool-No.			
		Tolerance ISO 2768 mK	Part-Description Flach- Schliessblech				
Scale 1 : 1		Additional Notice					
Drawn M. Müller-Bachem				Document No. 7.848.22783	Doc. Part No. 000	Revision 01	Status 20
Date 17.10.2017	Replaced for :			Test procedure		Size A3	
Appr. P. Thode	Replaced by :						
Date 18.10.2017							