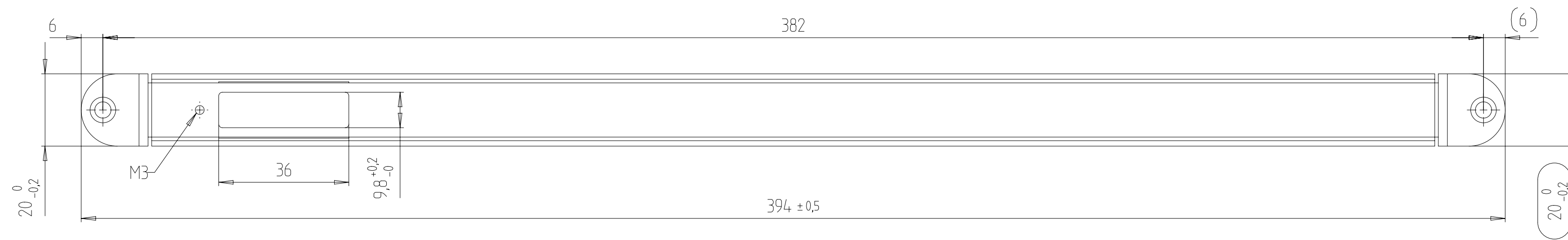
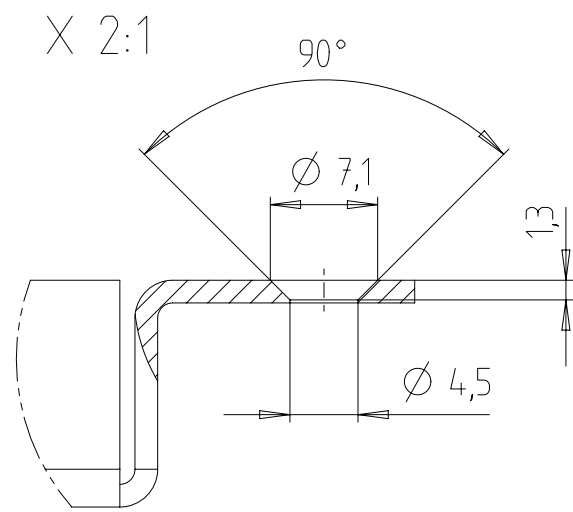
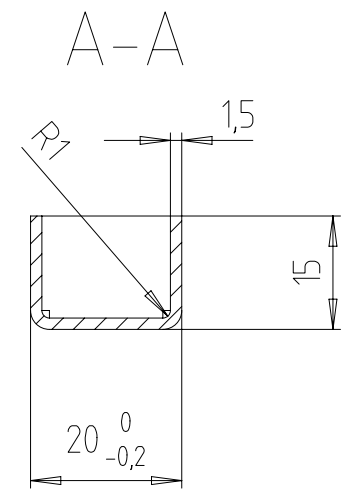
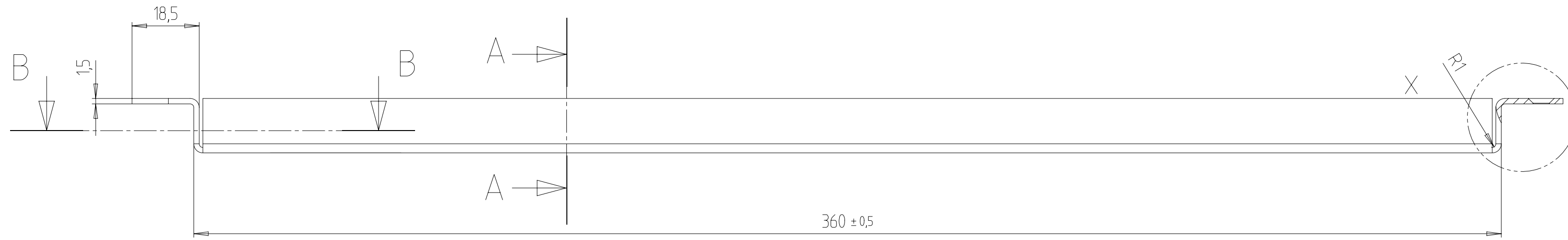
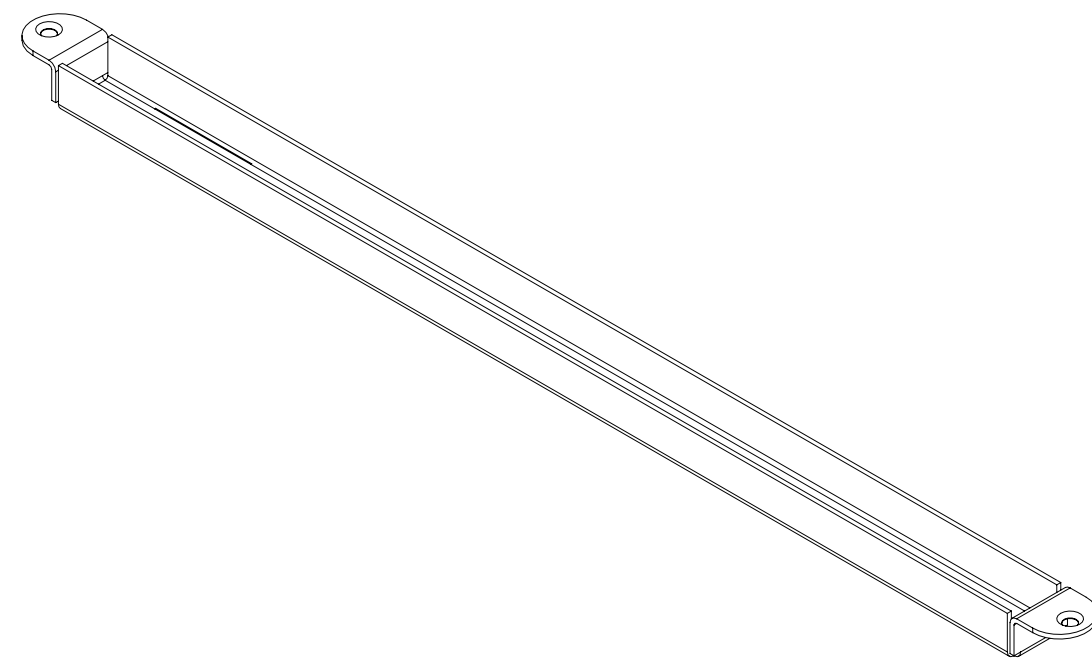
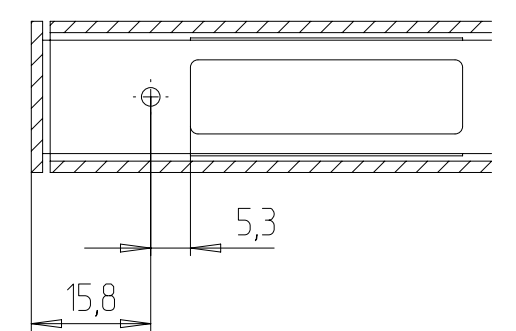


The Drawing and its contents are to be kept secret from third parties, particularly competitors. The drawing and documents which go with it are not to be duplicated either in local or extract, or used in other documentation without express approval (S1 and 3B UStG - §1 and 18 UStG). A reservation of rights in accordance with §12 PatG is declared for the event that a patent is granted.



B-B



Qty.	Type of Modification	ANT	Drawn	Approved	Date	
25338		EK1-2309001				
Volume /mm <sup>3</sup>	Weight/g	Material-No.	Item-No.	Tool-No.		
25338	195,103	14.016				
	Tolerance	Part-Description				
	ISO 2768-m	Gehäuse für KÜ BM400				
Scale	Additional Notice					
1:1						
Drawn	GulA	<b>KFV</b>	Document No.	Doc. Part No.	Revision	Status
Date	31.03.2023		7,996,33642	000	00	20
Appr.			Replacement for :	Test procedure		Size
Date			Replaced by :			A2