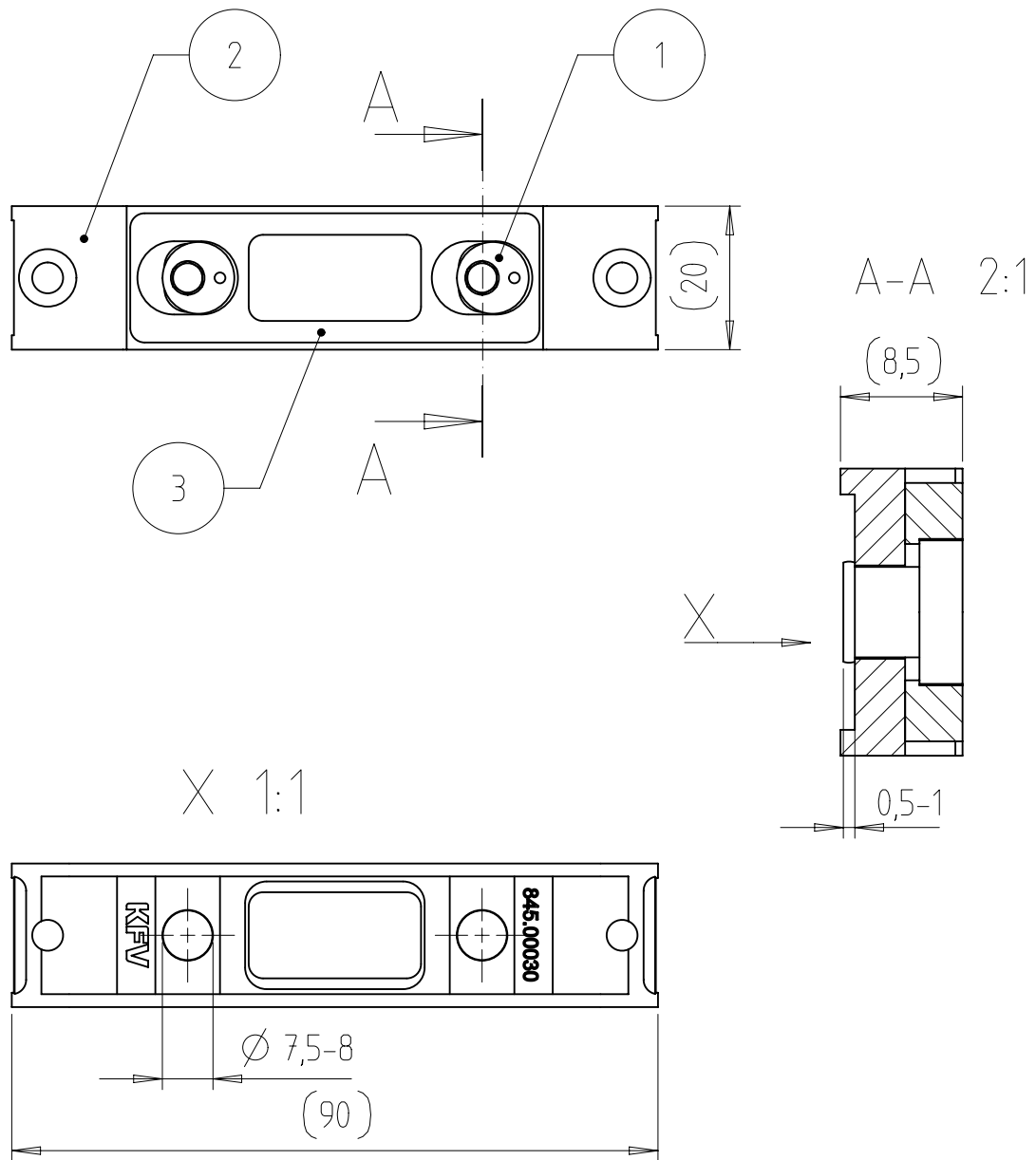


The Drawing and its contents are to be kept secret from third parties, particularly competitors. The drawing and documents which go with it are not to be duplicated either in local or extract, or used in other documentation without express approval (§15 and 38 UrhG - §1 and 18 UWG). A reservation of rights in accordance with §12 PatG is declared for the event that a patent is granted.



Tolerierung nach ISO 8015

Pos. 2 und 3 mit Pos. 1 vernietet

3	Verstellplatte	1	9.402.00065	000			
2	Flach- Schliessblech	1	9.845.00030	000			
1	Rd_Exzenter_Stufendorn	2	9.714.00013	000			
Pos	Benennung	Stck	PDM-Nr.	Teil	Bemerk		
Qty.	Type of Modification	nach UG übertragen		ANT	Drawn	Approved	Date
1				Y6999B	M. M.-Bachem	P. Thode	29.02.2016
Volume /mm³	Weight/g	Material-No.	Item-No.	Tool-No.			
8677	67,943		2319-503V				
		Tolerance	Part-Discription				
		ISO 2768 mK	Flach- Schliessblech				
Scale		Additional Notice					
1 : 1							
Drawn	M. Kaufmann	KFV	Document No.	Doc. Part No.	Revision	Status	
Date	16.02.2009		7.845.00061	000	01	20	
Appr.	P. Thode		Replacement for :	Test procedure		Size	
Date	17.02.2009		Replaced by :			A4	