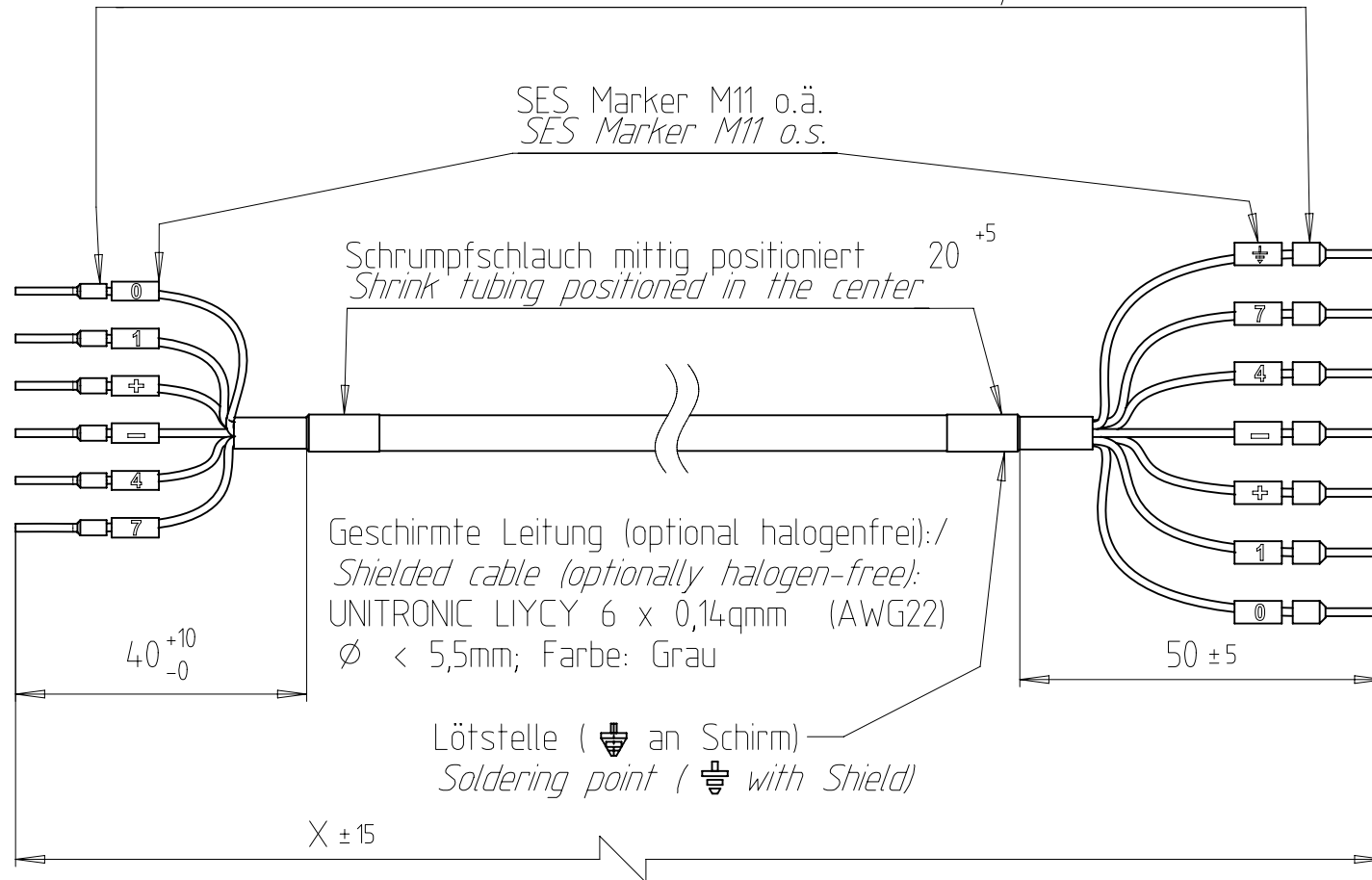


The Drawing and its contents are to be kept secret from third parties, particularly competitors. The drawing and documents which go with it are not to be duplicated either in local or extract, or used in other documentation without express approval (§15 and §18 UrHG - §1 and §18 UWG). A reservation of rights in accordance with §12 PatG is declared for the event that a patent is granted.

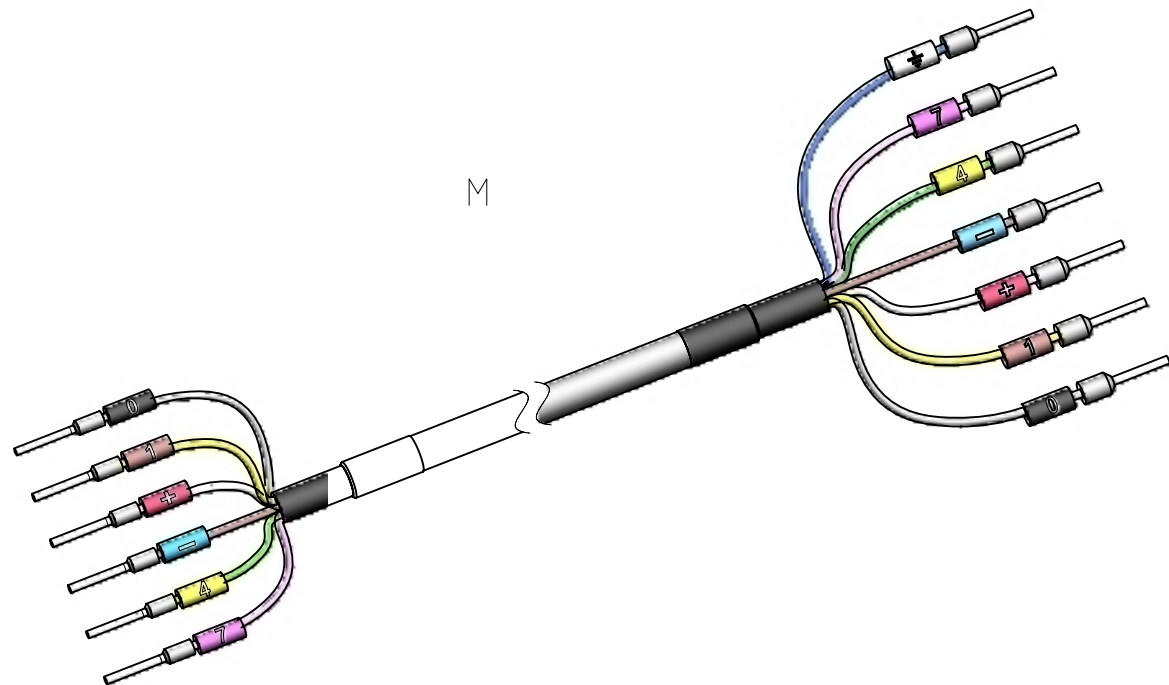
Aderendhuelsen DIN 46228 Klauke 166GRL 12,5mm mit Kunststoffkragen o.ä. /  
Wire end sleeves DIN 46228 Klauke 166GRL 12.5mm with plastic collar o.s.

SES Marker M11 o.ä.  
SES Marker M11 o.s.

| Bedruckung / Printing | Ringfarbe / Ringcolour | Aderfarbe / Wirecolour |
|-----------------------|------------------------|------------------------|
| 0                     | Schwarz / Black        | Hellgrau / Lightgrey   |
| 1                     | Braun / Brown          | Gelb / Yellow          |
| +                     | Rot / Red              | Weiss / White          |
| -                     | Blau / Blue            | Braun / Brown          |
| 4                     | Gelb / Yellow          | Gruen / Green          |
| 7                     | Lila / Purple          | Pink / Pink            |



| Bedruckung / Printing | Ringfarbe / Ringcolour | Aderfarbe / Wirecolour |
|-----------------------|------------------------|------------------------|
| ⊕                     | Weiss / White          | Dunkelblau / Dark Blue |
| 7                     | Lila / Purple          | Pink / Pink            |
| 4                     | Gelb / Yellow          | Gruen / Green          |
| -                     | Blau / Blue            | Braun / Brown          |
| +                     | Rot / Red              | Weiss / White          |
| 1                     | Braun / Brown          | Gelb / Yellow          |
| 0                     | Schwarz / Black        | Hellgrau / Lightgrey   |



Länge X siehe SAP Kurztext / Length X see SAP short text  
Art.-Nr. "FA-KA-OK-X" muss als Aufkleber auf Polybeutel erscheinen, X wird in der Art.-Nr. durch die jeweilige Kabellänge nach Auftrag ersetzt  
Item no. "FA-KA-OK-X" must appear as a sticker on the polybag, X is replaced in the item no. by the respective cable length according to order  
ROHS-KONFORM GEMAESS RL 2011/65/EU /  
ROHS-COMPLIANT ACCORDING TO RL 2011/65/EU

|                      |                      |             |              |  |                |          |        |       |
|----------------------|----------------------|-------------|--------------|--|----------------|----------|--------|-------|
| Qty.                 | Type of Modification | AE-Nr.      | Drawn        | Approved                                 | Rel. SR        | Date     |        |       |
|                      |                      | EK1-2399901 |              |  |                |          |        |       |
| Ident.-/Material-No. | Tool-No./Item-No.    | Weight / g  | Volume / mm³ | Tolerance - DIN EN ISO 8015<br>ISO2768MK |                |          |        |       |
| Metric, Proj. ISO A  | Material             |             |              | Part Description<br>Kabel AK600 K        |                |          |        |       |
| Scale                | Additional Notice    |             |              |  |                |          |        |       |
| Rel.SR               |                      |             |              |  |                |          |        |       |
| Date                 | <b>KFV</b>           |             |              | Doc-No.                                  | Doc-Part-No.   | Revision | Status | Size  |
| Appr. Page   J       |                      |             |              | 7.995.33112                              | 000            | 00       | 20     | A3    |
| Date 21.07.2023      |                      |             |              | Replaced for ... :                       | Test Procedure |          |        | Sheet |
| Drawn Gu   A         |                      |             |              | Replaced by... :                         |                |          |        | 1/1   |
| Date 15.02.2023      |                      |             |              |  |                |          |        |       |