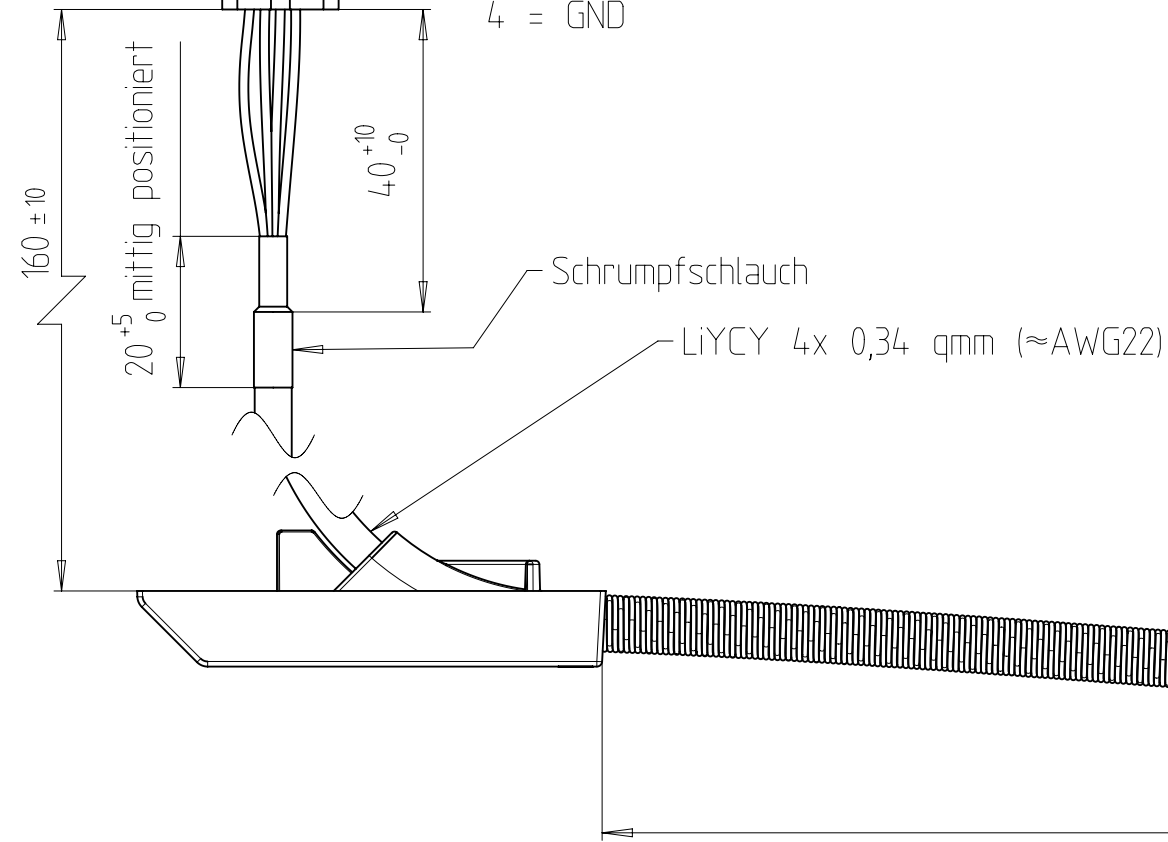


The Drawing and its contents are to be kept secret from third parties, particularly competitors. The drawing and documents which go with it are not to be duplicated either in local or extract, or used in other documentation without express approval (§15 and §18 UrHG - §1 and §18 UWG). A reservation of rights in accordance with §12 PatG is declared for the event that a patent is granted.

JST PALR+()V(F)
Farbe weiß

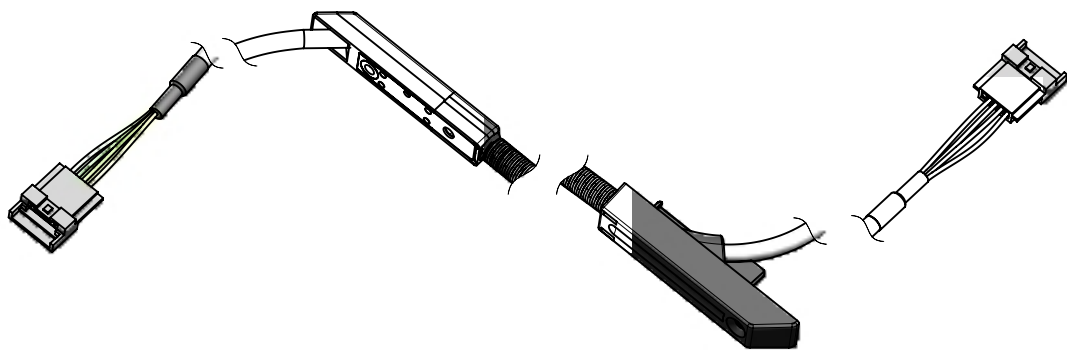
- 1 = 24V DC
- 2 = D+
- 3 = D-
- 4 = GND



= (230)

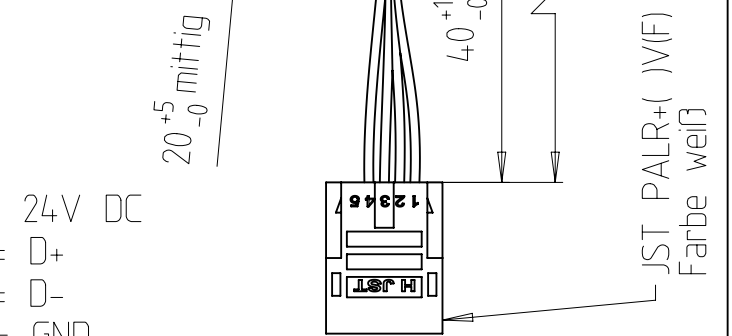
- Weiß => UB = +24 V DC
- Grün => D+ = Signal SI-Bus
- Gelb => D- = Invertiertes Signal SI-BUS
- Braun => GND = Minus

M 1:2



ROHS-KONFORM GEMAESS RL 2011/65/EU

- 1 = 24V DC
- 2 = D+
- 3 = D-
- 4 = GND



Qty.	Type of Modification	ANT	Drawn	Approved	Date
		EK1-2299901			
Volume /mm³	Weight/g	Material-No.	Item-No.	Tool-No.	
		Tolerance ISO2768MK	Part-Description Mini Kabelueb. M1335 JST		
Scale 1 : 1	Additional Notice				
Drawn GulA	KFV	Document No. 7.996.31622	Doc. Part No. 000	Revision 00	Status 15
Date 21.03.2022		Replacement for :		Test procedure	Size A3
Appr. ZechA		Replaced by :			
Date 21.03.2022					