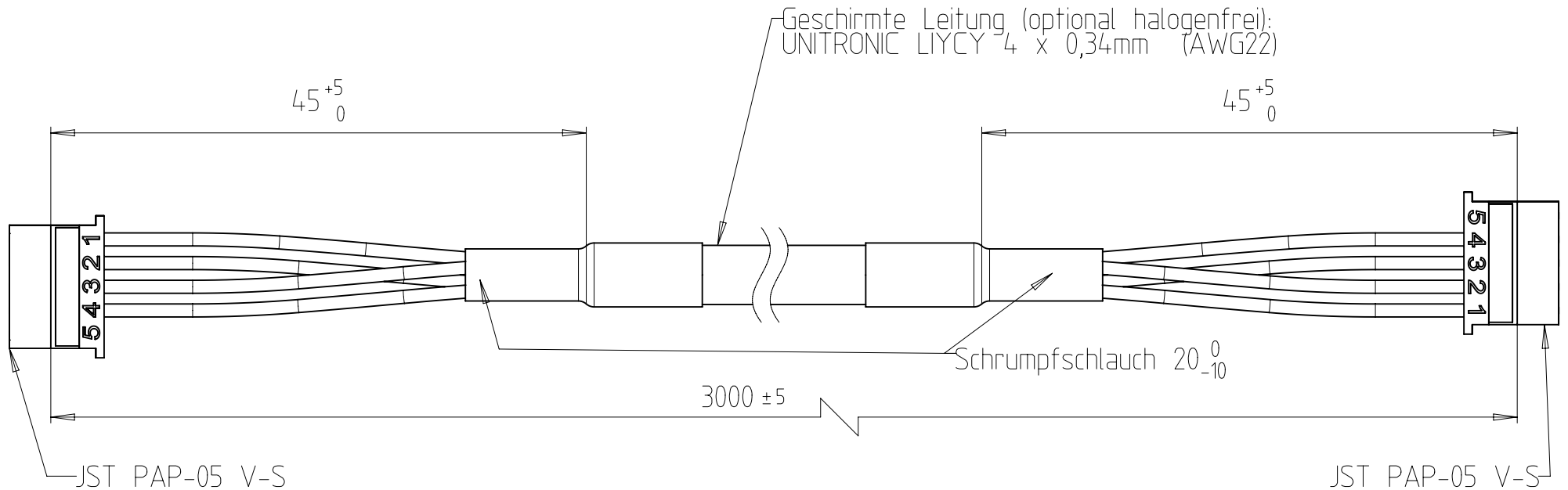
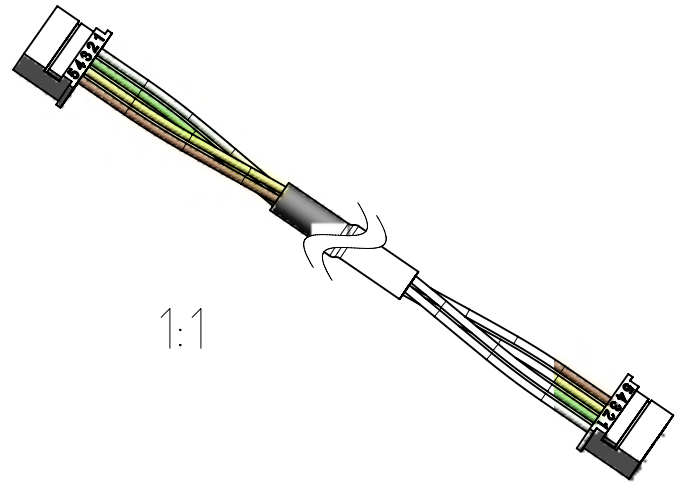


The Drawing and its contents are to be kept secret from third parties, particularly competitors. The drawing and documents which go with it are not to be duplicated either in local or extract, or used in other documentation without express approval (§15 and 38 UrhG - §1 and 18 UWG). A reservation of rights in accordance with §12 PatG is declared for the event that a patent is granted.



- Nr.1 Weiß => UB = +24 V DC
- Nr.2 Grün => D+ = Signal SI-BUS
- Nr.3 Gelb => D- = Invertiertes Signal [SI-BUS]
- Nr.4 Braun => GND = Minus



Qty.	Type of Modification	ANT	Drawn	Approved	Date	
		Y4261A				
Volume /mm³	Weight/g	Material-No.	Item-No.	Tool-No.		
		Tolerance	Part-Discription SI-BUS Kabel			
Scale	Additional Notice					
	2 : 1					
Drawn	GulA	<b>KFV</b>	Document No.	Doc. Part No.	Revision	Status
Date	09.06.2020		7.995.28373	000	00	20
Appr.	KnippO		Replacement for :	Test procedure		Size
Date	09.06.2020		Replaced by :			A4