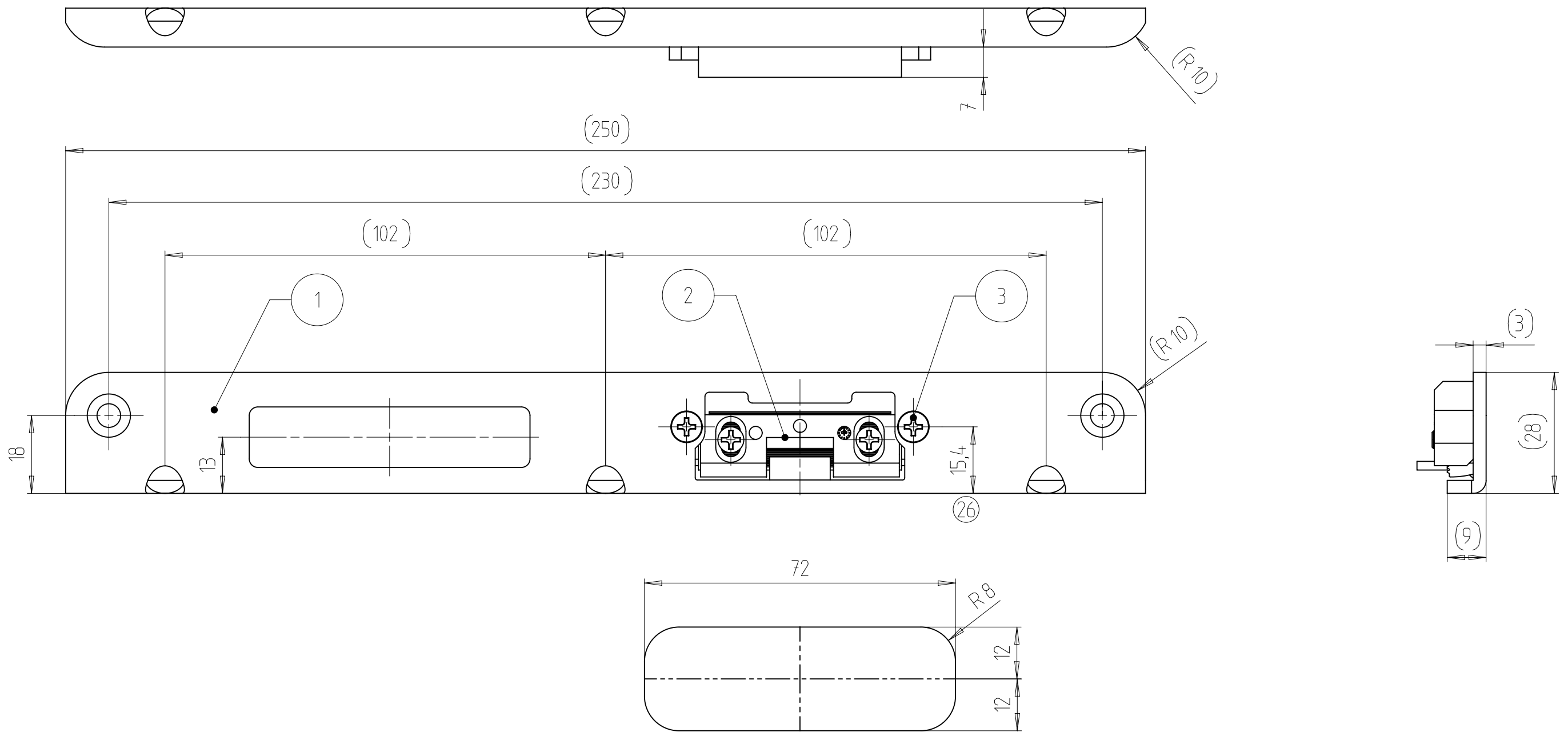


The Drawing and its contents are to be kept secret from third parties, particularly competitors. The drawing and documents which go with it are not to be duplicated either in local or extract, or used in other documentation without express approval (§15 and §18 UrHG - §1 and §18 UWG). A reservation of rights in accordance with §12 PatG is declared for the event that a patent is granted.



nur mit abgesetzter Falle einsetzbar

Frästiefe = angegebene Tiefe + min. 1 mm

Fräser  $\varnothing$  16 mm  
Anlaufring  $\varnothing$  27 mm

wie gezeichnet DIN links  
spiegelbildlich DIN rechts

Tolerierung nach ISO 8015

Pos. 1 und Pos. 2 mit Pos. 3 verschraubt

Pos	Benennung	Stck	PDM-Nr.	Bemerk
3	Senkschraube DIN 965-M4x6	2	9.999.03370	
2	AT-Stueck kplt.	1	7.803.00038	
1	Winkel- Schliessblech	1	9.851.00051	

Qty. 1	Type of Modification	Anpassung an die Fertigung		ANT	Drawn M. M.-Bachem	Approved P. Thode	Date 08.04.2016
Volume /mm <sup>3</sup> 25904	Weight/g 199,782	Material-No.	Item-No. 17-580-1ER		Tool-No.		
		Tolerance ISO 2768 mK	Part-Discription Winkel- Schliessblech				
Scale 1 : 1		Additional Notice					
Drawn Hoeltgen Date 06.08.1999 Appr. Wiesner Date 16.08.1999		<b>KFV</b>		Document No. 7.851.00046	Doc. Part No. 000	Revision 26	Status <b>20</b>
				Replacement for :	Test procedure		Size A3
				Replaced by :			