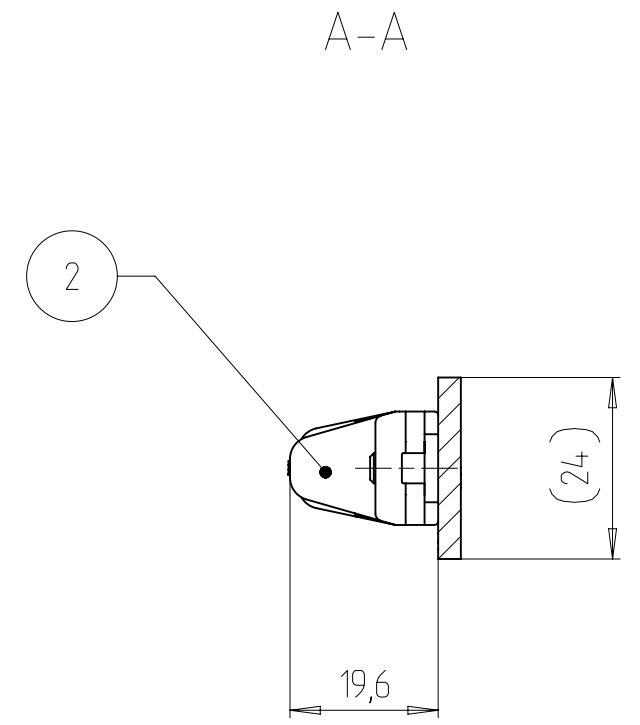
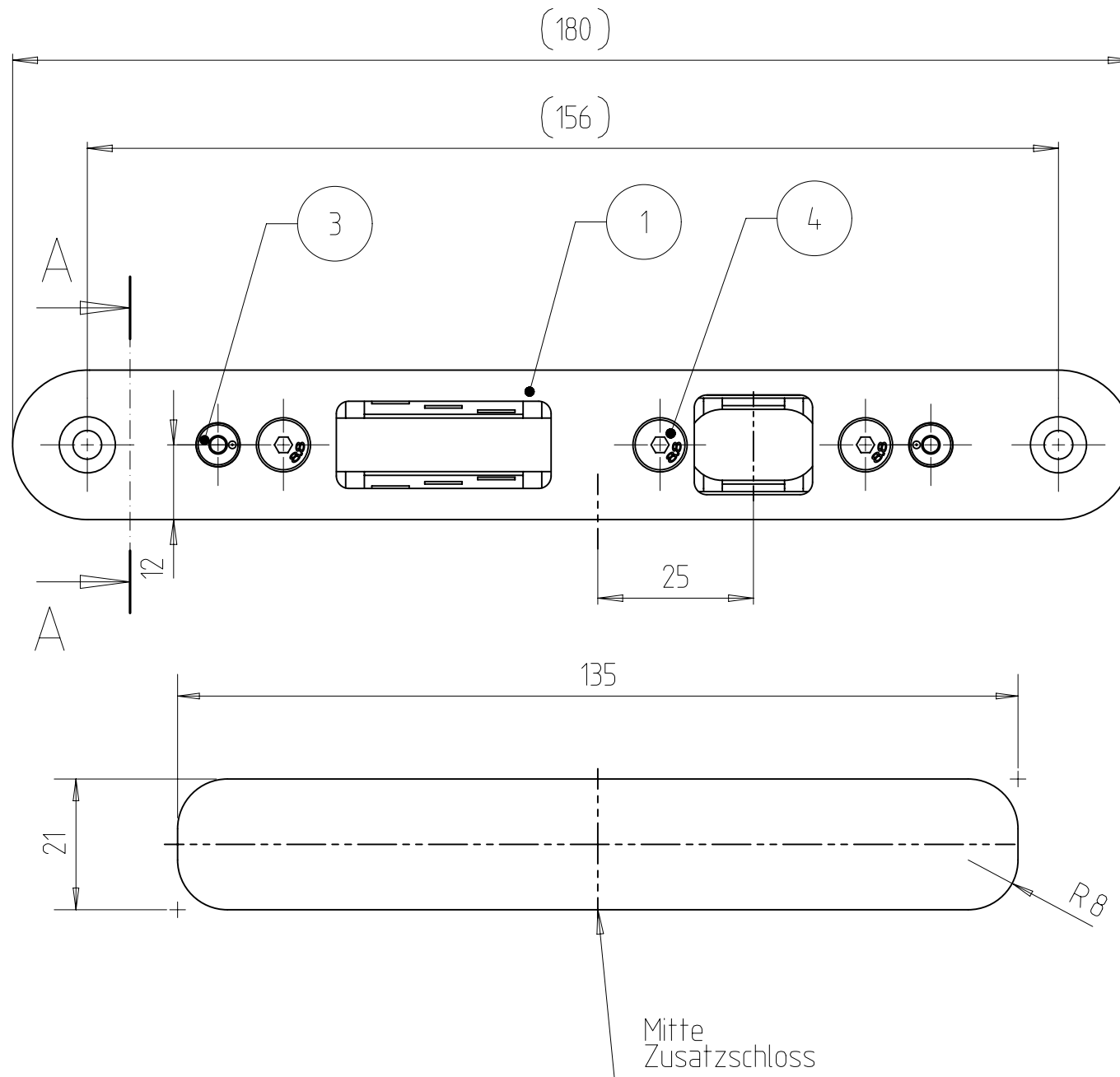


The Drawing and its contents are to be kept secret from third parties, particularly competitors. The drawing and documents which go with it are not to be duplicated either in local or extract, or used in other documentation without express approval (815 and 38 UrHG - §1 and 18 UWG). A reservation of rights in accordance with §12 PatG is declared for the event that a patent is granted.



Frästiefe = angegebene Tiefe + min. 1 mm

Fräser  $\varnothing$  16 mm  
Anlaufring  $\varnothing$  27 mm

Artikel- Nr. auf der Rückseite geprägt

Tolerierung nach ISO 8015

Pos. 3 in Pos. 2 einlegen  
Pos. 2 und Pos. 1 mit Pos. 4 verschrauben

Pos	Benennung	Stck	PDM-Nr.	Bemerk
4	Senkschraube DIN 7991-M4x12	3	9.999.03359	
3	Rd__Excenter	2	9.714.00090	
2	Schliesskasten komplett	1	7.880.00052	
1	Flach-Schliessblech	1	9.848.06920	

Qty.	Type of Modification	ANT	Drawn	Approved	Date	
		Y6999D				
Volume /mm <sup>3</sup>	Weight/g	Material-No.	Item-No.	Tool-No.		
21679	97,000		3630-03-240R			
		Tolerance	Part-Description			
		ISO2768MK	Flach-Schliessblech			
Scale		Additional Notice				
1 : 1						
Drawn	Patrick Thode	<b>KFV</b>	Document No.	Doc. Part No.	Revision	Status
Date	18.04.2016		7.848.06919	000	00	<b>20</b>
Appr.	M. Müller-Bachem		Replacement for :	Test procedure		Size
Date	18.04.2016		Replaced by :			A3