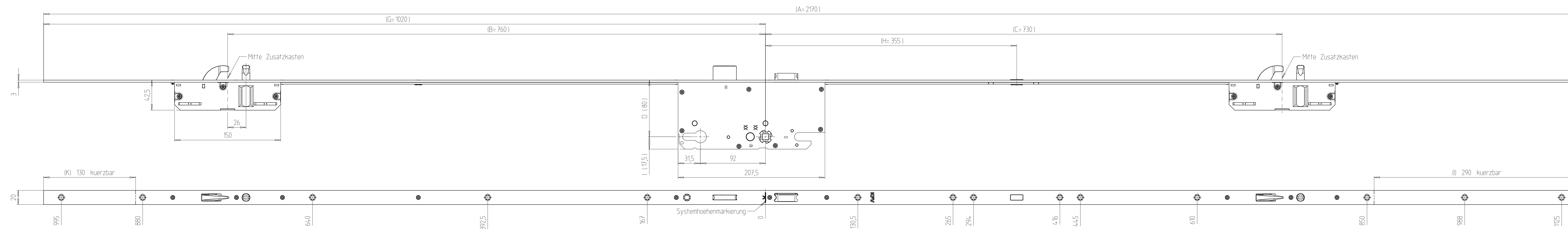


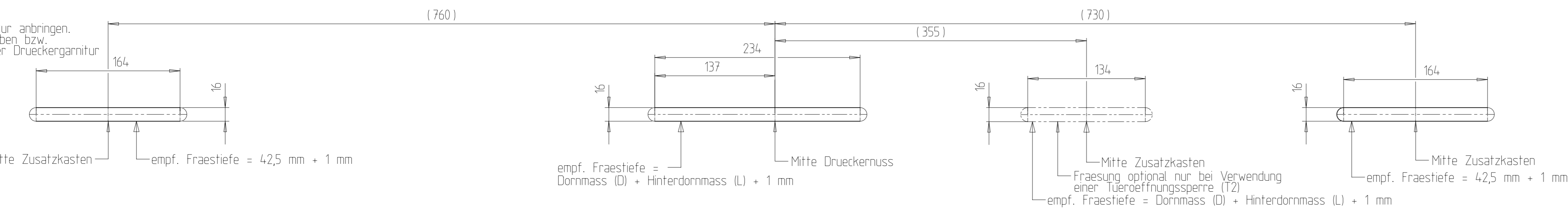
The drawing and its contents are to be kept secret from third parties, particularly competitors. The drawing and documents which go with it are not to be duplicated either in total or extract, or used in other documentation without express approval. EK1 and EK2. A reservation of rights in accordance with §2 PatG is declared for the extent that a patent is granted.



Schlossaufnahmetaschen (M 1:3)
 Taschen mit Fraeser \varnothing 16 mm fuer Haupt- und Zusatzschlosskaesten am Tuerblatt herstellen.

Bohrungen fuer Druckergarnitur anbringen. Verwenden Sie dazu die Angaben bzw. Schablonen des Herstellers der Druckergarnitur.

ACHTUNG:
 Abweichende Fraestiefen bei Sonderkonstruktionen und/oder Profilstulpen bitte anhand der Profilzeichnung ermitteln.



Qty.	Type of Modification	ANT	Drawn	Approved	Date
Volume /mm³	Weight/g	Material-No.	Item-No.	Tool-No.	
			B52600 --- TGF -- 208092-31B0011		
Tolerance		Part-Description			
		MFS 2600			
Scale		Additional Notice			
1 : 2		F20, HSS000, SENK-NR 1			
Drawn	Ina Sellmann	Document No.		Doc. Part No.	Revision
Date	14.09.2022	1.2600.23678		080	00
Appr.	Michael Wiesner	Replacement for :		Test procedure	Status
Date	15.09.2022	Replaced by :			20
KFV					
Size U					